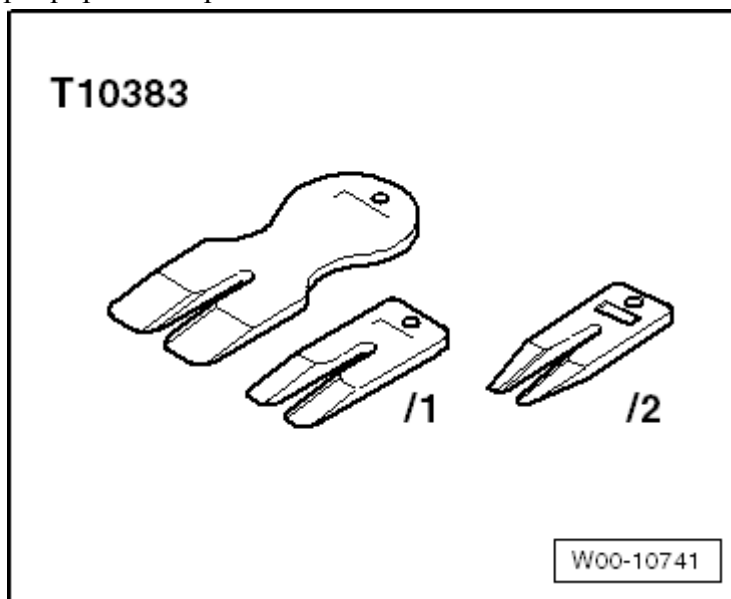


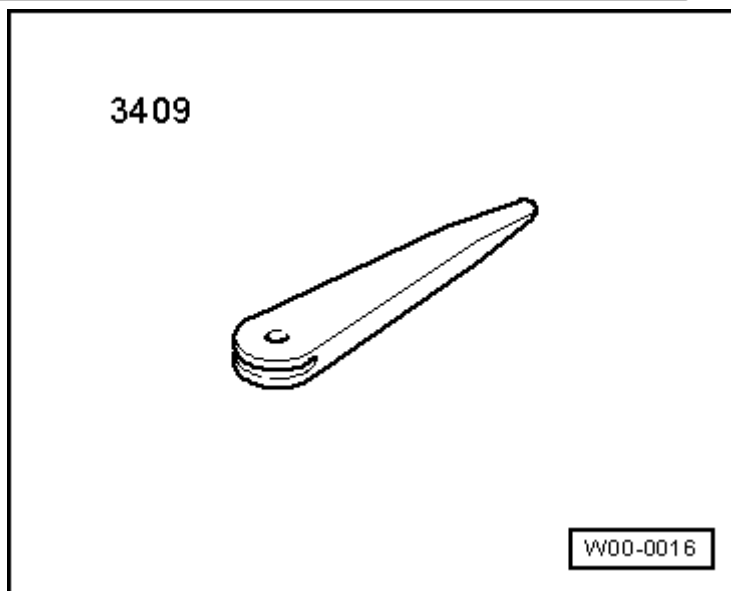
Removing and installing insert for centre console

Special tools and workshop equipment required

t Wedges -T10383-

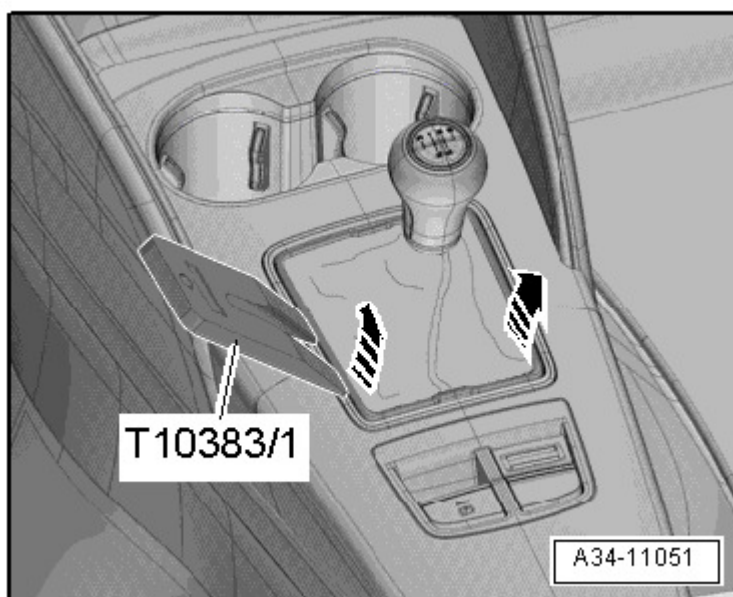


t Removal wedge -3409-



Removing

- Equipment version with selector lever: Move selector lever to “D/S”.
- Switch off ignition.
- Carefully prise selector lever/gear lever boot off centre console using wedge -T10383/1--arrow- and fold up.
- Equipment version with dual clutch gearbox: Remove selector lever position display -Y26- →[Electrical system; Rep. gr.96](#).
- Remove lining mat (front) in centre console.



- Apply removal wedge -3409- on insert for centre console approx. at distance -a- = 130 mm.

Carefully insert removal wedge -

- 3409- underneath insert for centre console -1- in area -b- = 35 mm until clips are released.

1 Dimension -a- = 130 mm

1 Dimension -b- = 35 mm



Note

Considerable force is required to unclip the insert from the centre console.

- Repeat procedure on opposite side.

– Reach beneath insert for centre console and carefully lift it out of centre console -arrows A-.

Pull insert for centre console

- towards rear -arrows B-, lift it out over gear lever/selector lever and unplug electrical connector.

Installing

Install in reverse order of removal.

Notes for installation: tightening torques, renewing components etc.

→ [Chapter „Exploded view - centre console“](#)

