

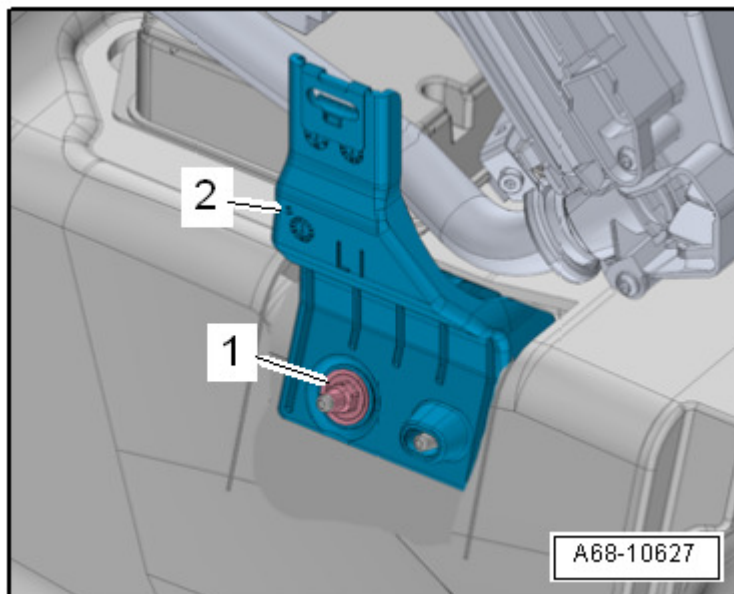
## Removing and installing bracket for centre console

## Removing

- Remove centre console → [Chapter](#).

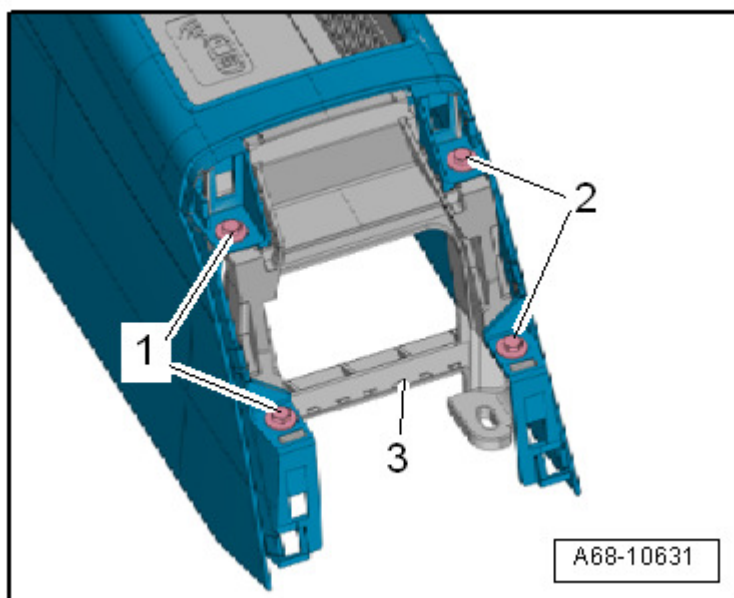
## Bracket (front) for centre console:

- Press floor covering to side in vicinity of bolted connection and unscrew nut -1-.
- Detach bracket -2- for centre console.



## Bracket (rear) for centre console:

- Remove bolts -1 and 2-.
- Take bracket -3- out of centre console.



## Mounting bracket for centre console:

- Unclip electrical wiring harnesses -1 and 3- from mounting bracket.
- Unplug electrical connectors and move clear.
- Unscrew nuts -2 and 5- and detach mounting bracket -4-.

## Installing

Install in reverse order of removal.

Notes for installation: tightening torques, renewing components etc.

[→ Chapter „Exploded view - centre console“](#)

