

Remove and install outer door handle

Special tools, test equipment and aids required:

- ◆ Square wrench or TORX 20
- ◆ Assembly device -T10118 -

Removing

- Remove trim panels -1-.
- Release securing screw -3-.
- Pull outer door handle -4- up to the stop in the direction of operation -arrow A- and hold in this position.
- Turn the screw -5- in the given direction -arrow B- until resistance can be felt.



Note

If the door handle inner part is removed the screw -5- must not be turned.

- Turn the lock cylinder -2- with the inserted key -arrow C- and remove -arrow D-.



Note

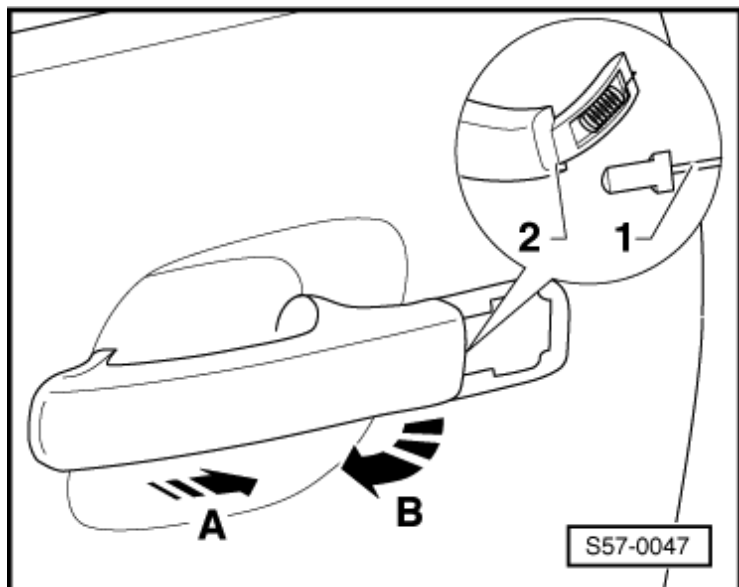
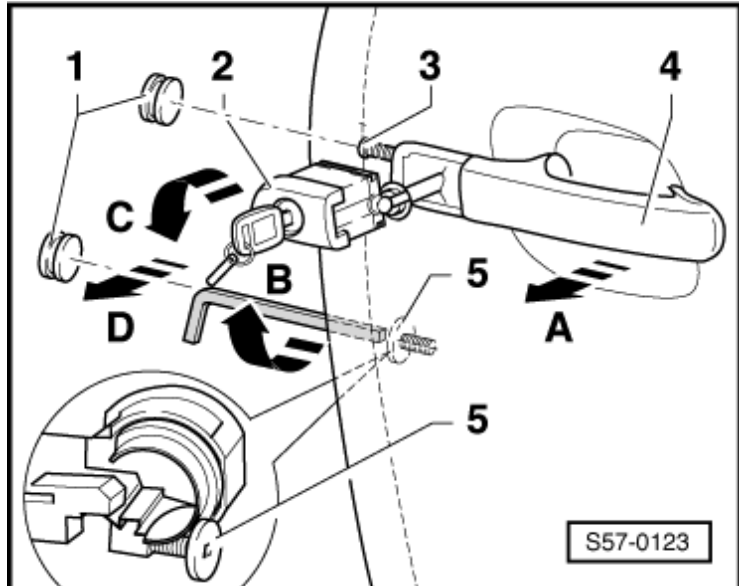
On vehicles with radio control the front passenger door lock is replaced by a trim.

- Unclip the control cable -1- from the door handle -2-.
- Slide the door handle -2- backwards -arrow A- and swivel it out of the door -arrow B-.

Installing:

- Swivel door handle into the door.

For vehicles 05.98 ►



- Hang assembly device -T10118- in the spring fixed to the door lock -arrow A- and hang the spring in the lock lever -arrow B-.

For all vehicles

Further installation occurs in reverse order.



Note

The control cable must lock securely in the outer door handle.

