

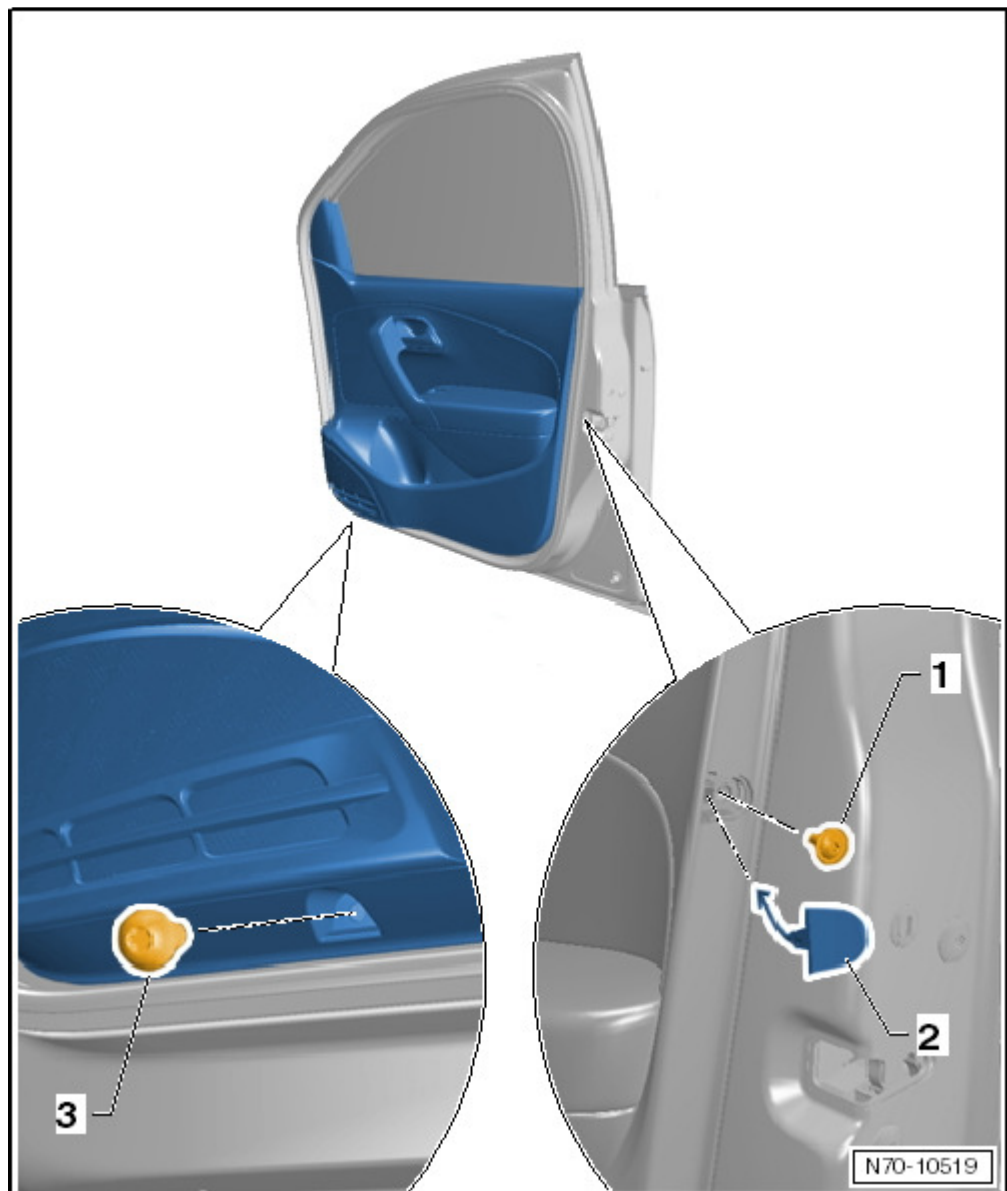
## Removing and installing front door trim (4-door models)

### Note

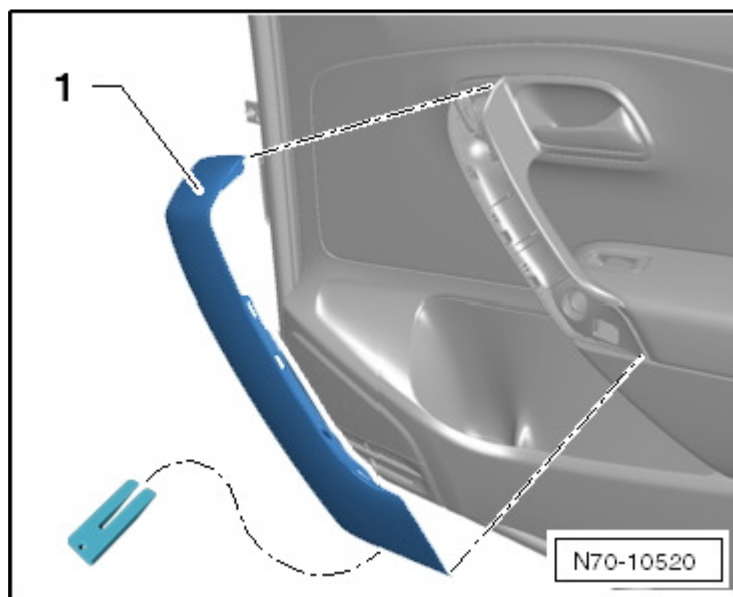
Removal and installation are described for right side of vehicle.  
Follow same instructions for left side as appropriate.

### Removing

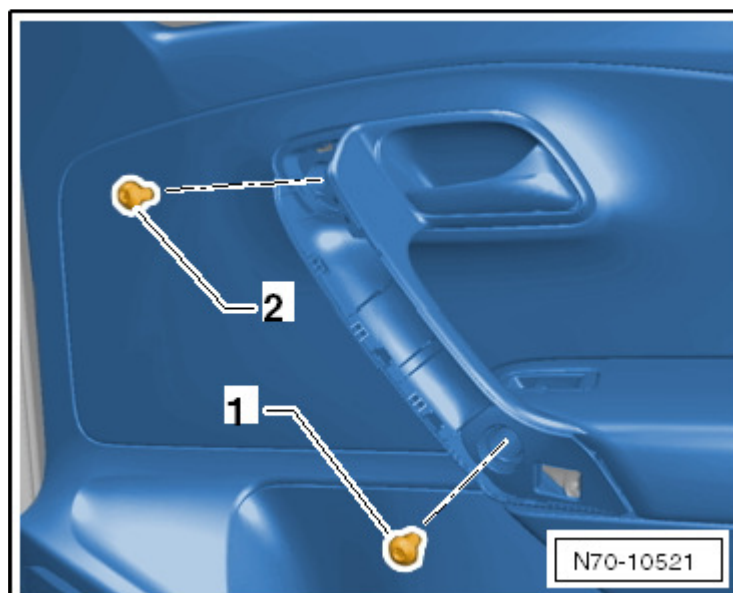
- Switch off ignition.
- Unclip cover cap -2- and unscrew bolt -1- (1.5 Nm).
- Unscrew bolt -3- on underside (4.5 Nm).



- Unclip trim -1- out of door trim using wedge -T10383/1-.



- Unscrew bolts -1- and -2- (4.5 Nm).



**Caution**

*When releasing door trim, there is a risk that fastening elements may be damaged. To avoid this, always follow the specified order and positions of clips when removing the door trim.*

- Release door trim from clips in -specified sequence-. Use wedges -T10383- to do this.

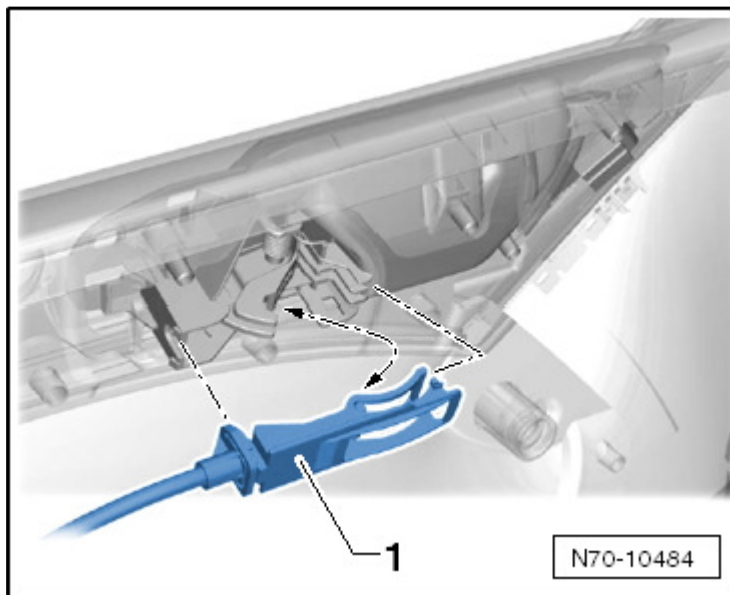


- Pull door trim upwards vertically out of window slot.
- Now unhook Bowden cable -1- from interior door handle on inside of door trim.
- Depending on vehicle equipment, disconnect wiring connectors from door trim.

**Installing**

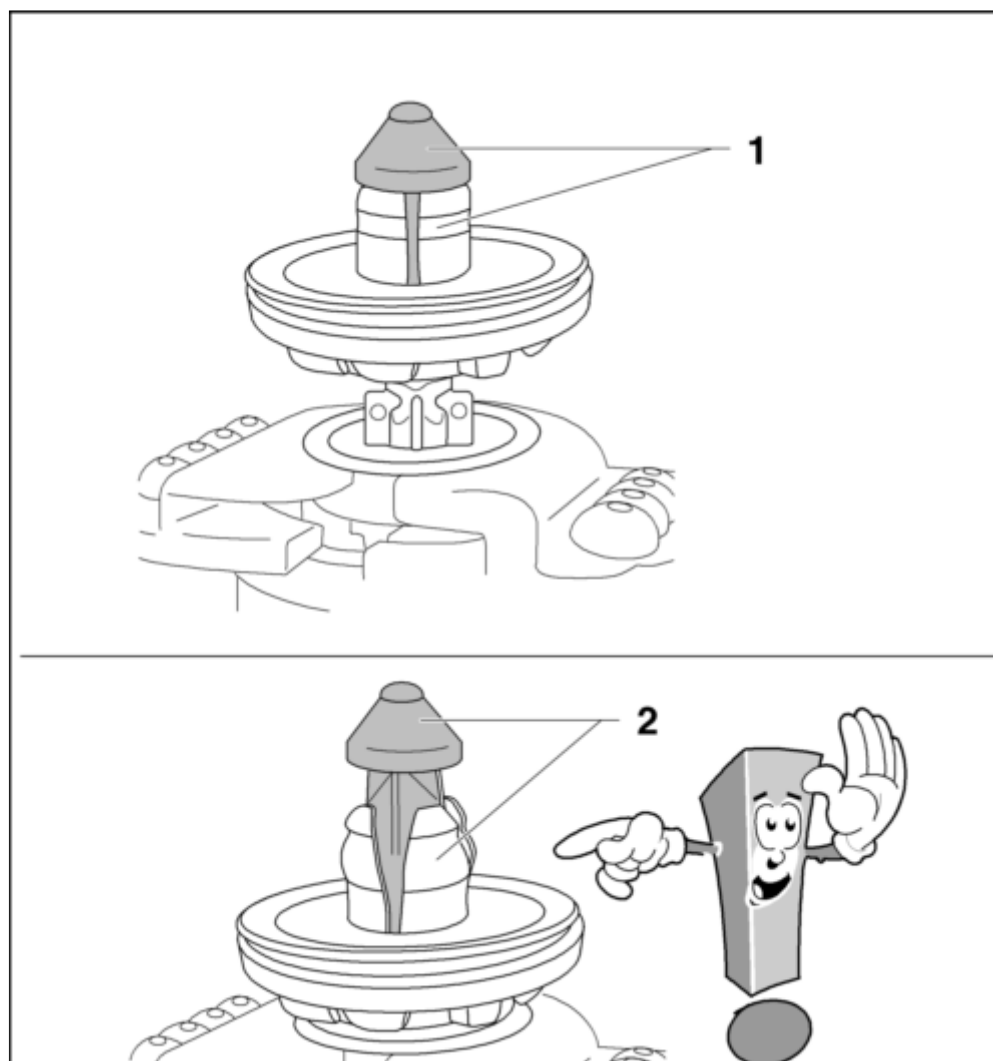
**Note**

Before installing, check fasteners for damage and renew if necessary.



**Caution**

Before installing door trim, ensure that the locking mechanisms of all clips are in -position 1-. It is not possible to install the door trim without problem if clips are in -position 2-!



- Install in reverse order of removal.

**Note**

- ◆ *When fitting door trim panel, first slide hook (front section of door trim panel) under front trim panel cover.*
- ◆ *Then push door trim panel into window slot seal and press into clips, working from top to bottom.*