

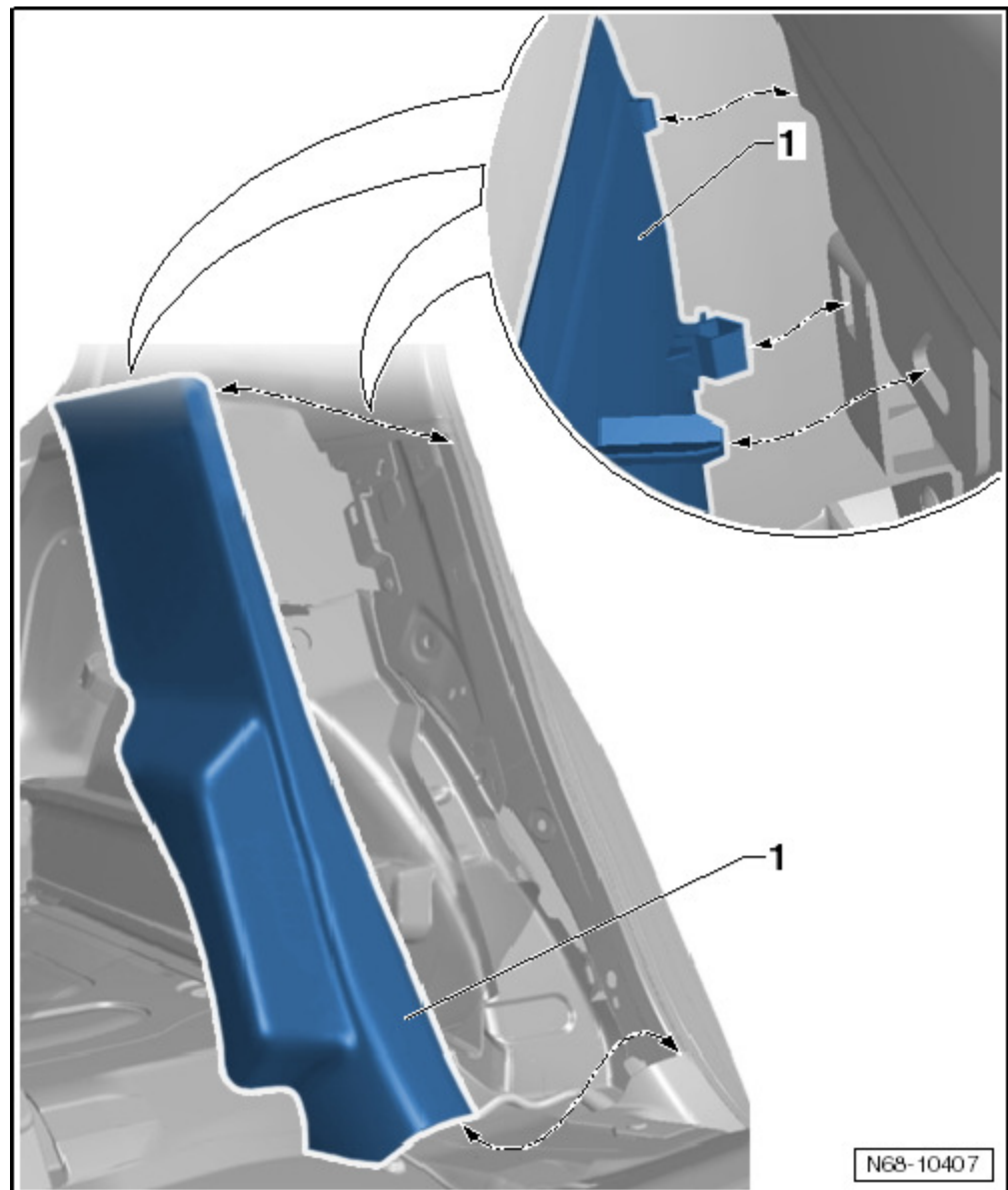
Removing and installing wheel housing trim (4-door models)

Note

Removal and installation are described for the left vehicle side.
Follow same instructions for the right side as appropriate.

Removing

- Fold bench seat forwards.
- Fold backrest forwards.
- Pull upper area of wheel housing trim -1- out of mountings.
- Pull wheel housing trim out of remaining mountings.



Installing

Note

Before installing, check retaining clips for damage and renew if necessary.

- Push wheel housing trim -1- into mountings in lower area.
- Further installation is performed in reverse order of removal.
- Ensure that wheel housing trim is positioned in beading of door seal.

