

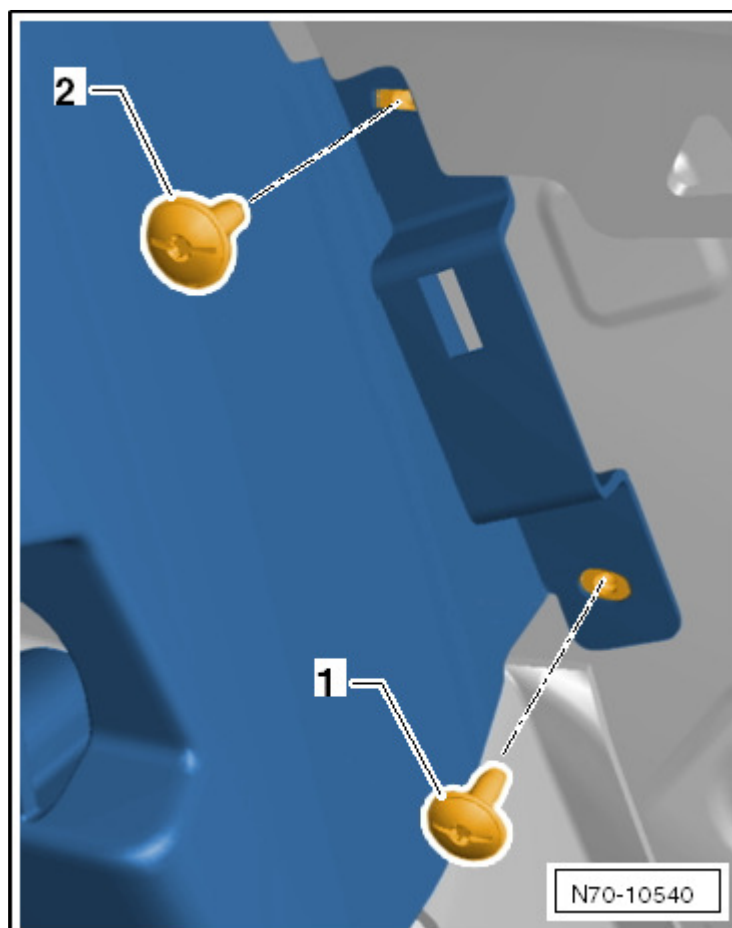
Removing and installing luggage compartment cover side support

Note

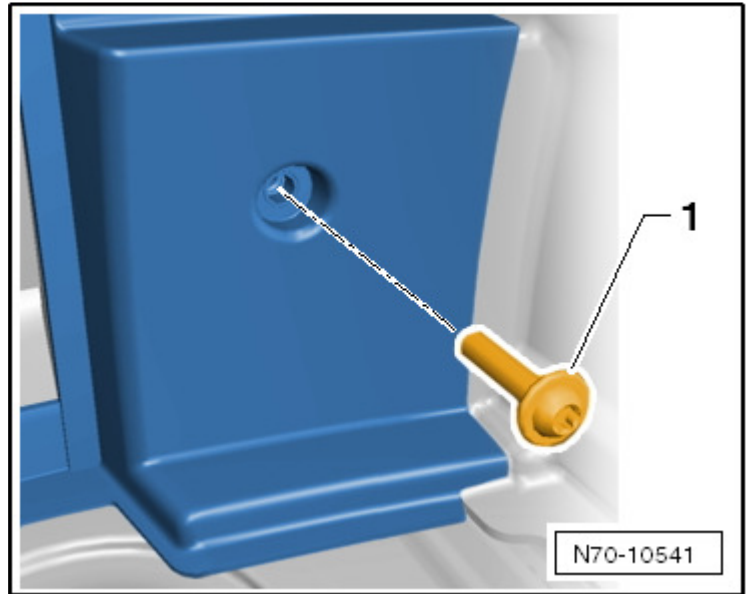
Removal and installation are described for the left vehicle side.
Follow same instructions for the right side as appropriate.

Removing

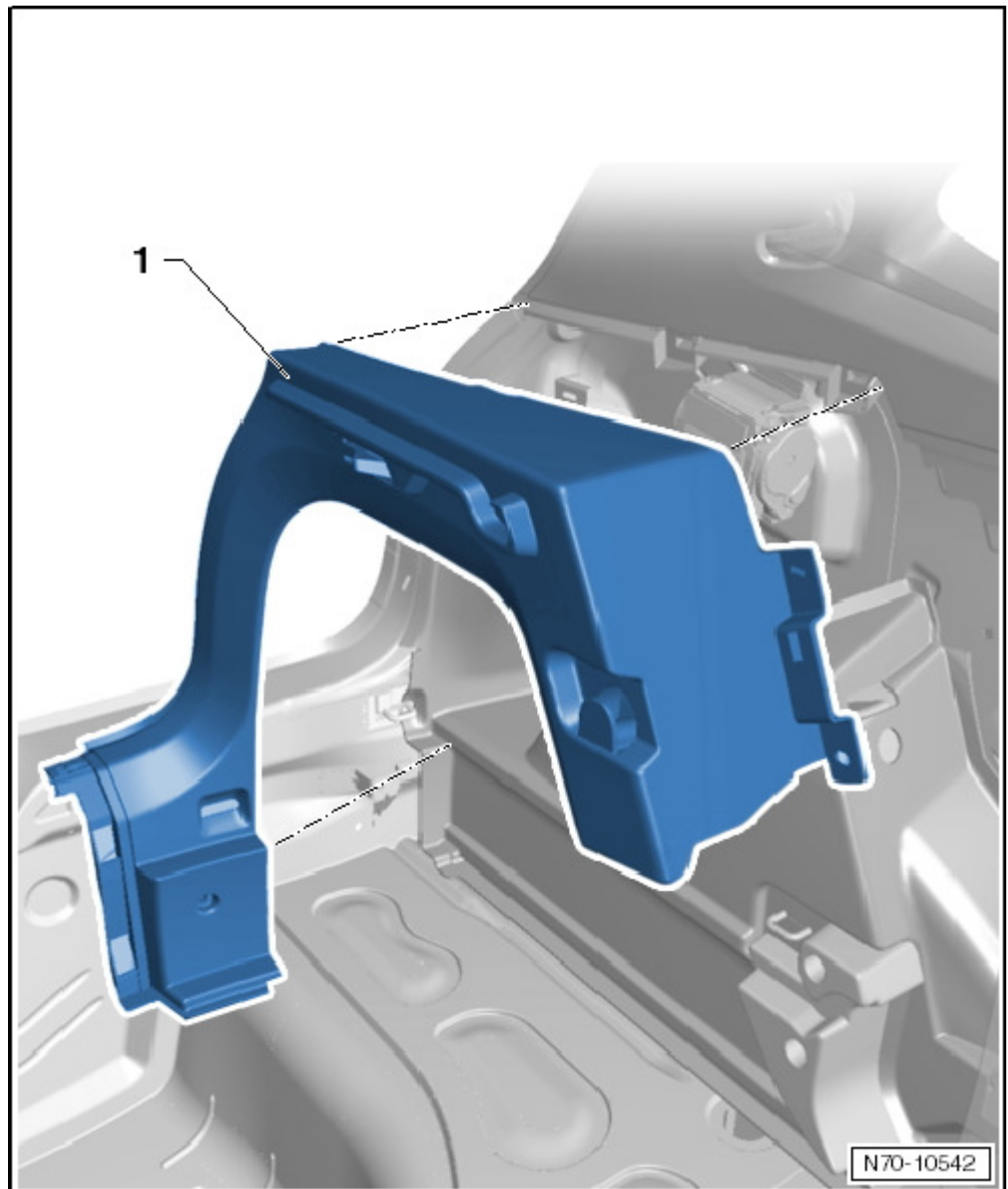
- Switch off ignition if support contains a light or socket.
- Removing lock carrier cover → Chapter.
- Remove bench seat → Chapter.
- Remove backrest → Chapter.
- Models with 4-doors, remove wheel housing trim → Chapter.
- Models with 2-doors, release sill moulding from fasteners in sill at transition to side panel and remove side panel trim → Chapter.
- Unscrew 2 bolts -1- and -2- (1.5 Nm) beneath C-pillar trim.



- Unscrew bolt -1- (8 Nm) next to lock carrier cover.



- Release luggage compartment cover side support -1- inwards out of mountings.
- If necessary, separate connector from light and socket.



Installing



Note

Before installing, check retaining clips for damage and renew if necessary.

- Install in reverse order of removal.