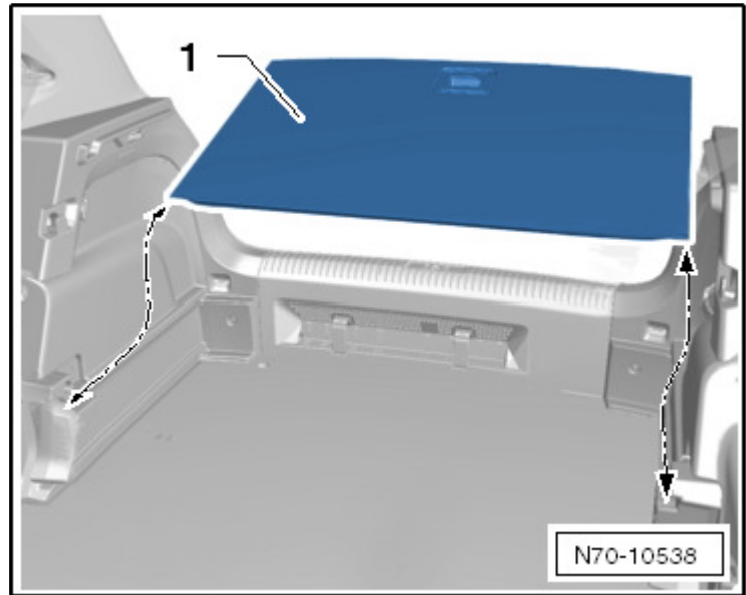


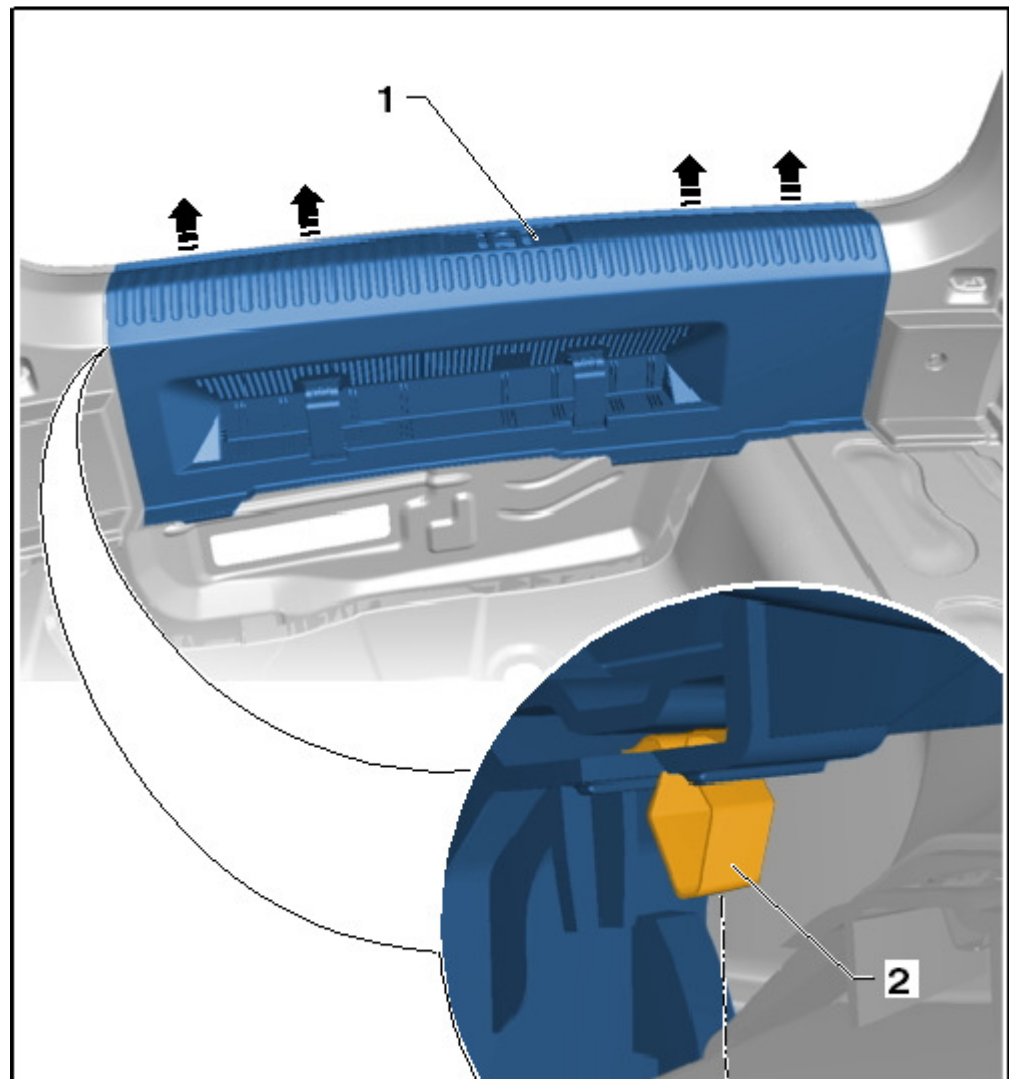
Removing and installing lock carrier cover

Removing

- If fitted, remove variable luggage compartment floor -1-.



- Pull lock carrier cover -1- upwards off lock carrier -arrows-.
- Check total of 4 retaining clips -2- for damage and renew as necessary.



Installing

- Install in reverse order of removal.

**Note**

Before installing, check retaining clips for damage and renew if necessary.

- Following installation, ensure that lock carrier cover is positioned in rear lid seal beading.