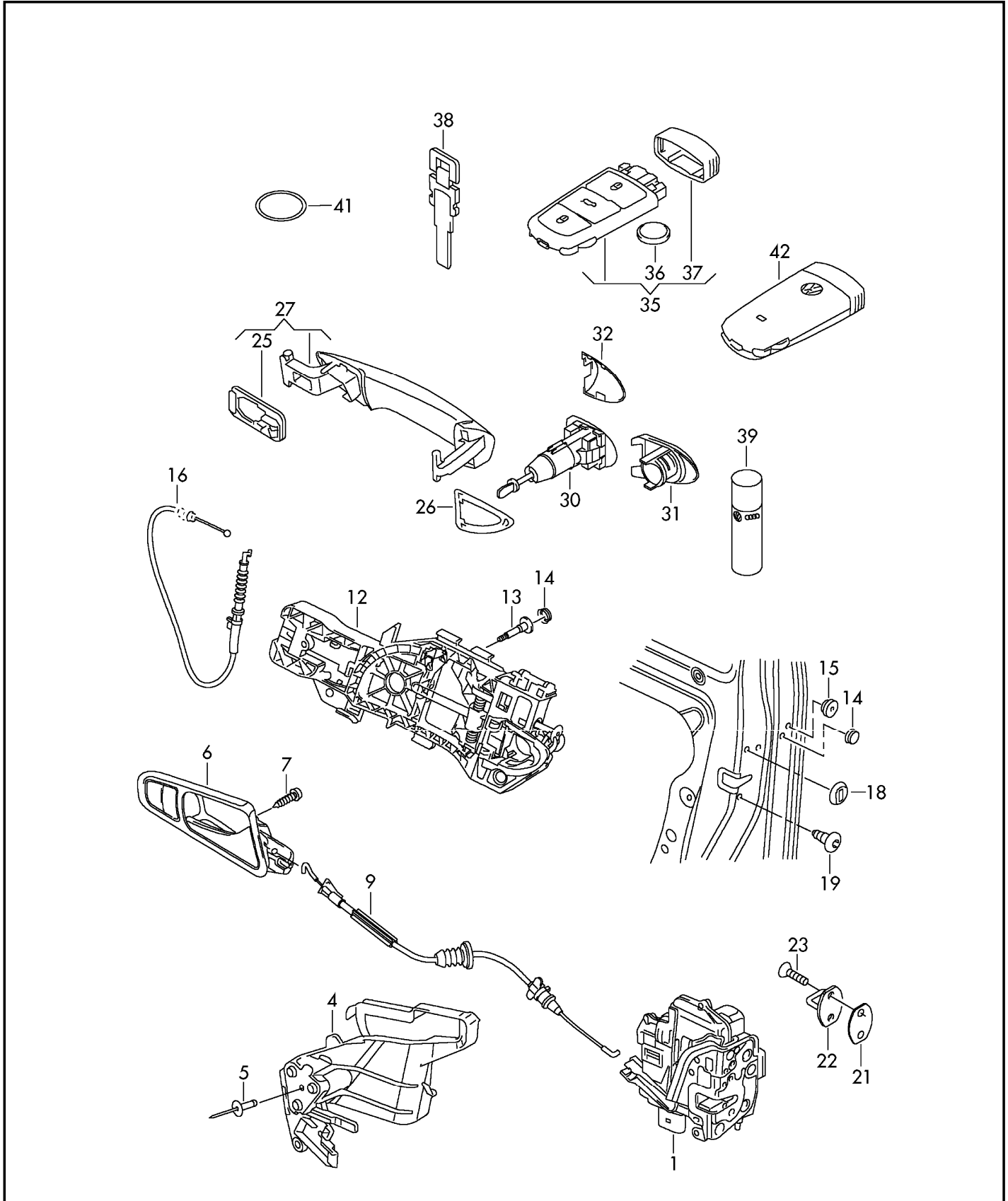




# ETKA

Model	Year	MG	SG	Illustrat	Restrictions	UPD	19:17	09.02.2011
PA	2010	8	37	837-00	>>	838		





# ETKA

Model	Year	MG	SG	Illustrat	Restrictions	UPD	19:17	09.02.2011
PA	2010	8	37	837-00	>>	838		

Pos	Part Number	Description	Remark	Qty	Model
		door lock	front		
		*with installation of new *lock cylinder set, vehicle *identity changes; *modify control unit *and start button!			
(1)	3C1 837 015 A	door lock	left lhd	1	PR-4F2,4K3
1	3C1 837 016 A	door lock	right lhd	1	PR-4F2,4K3
(1)	3C1 837 015 B	door lock	left lhd	1	PR-4K0,4I2, 4I3
(1)	3C1 837 016 B	door lock	right lhd	1	PR-4K0,4I2, 4I3
(1)	3C2 837 015 A	door lock	left rhd	1	PR-4F2,4K3
(1)	3C2 837 016 A	door lock	right rhd	1	PR-4F2,4K3
(1)	3C2 837 015 B	door lock	left rhd	1	PR-4I2,4I3
(1)	3C2 837 016 B	door lock	right rhd	1	PR-4I2,4I3
(4)	3C0 837 867 C	retaining bracket door lock	left	1	
4	3C0 837 868 C	retaining bracket door lock	right	1	
5	N 909 942 01	pop rivet	4,8X10	6	
		inner actuator	front		
(6)	3C1 837 113 D	inner actuator	left lhd	1	
	05/08-11/10ZNX	satin black/chrome matt silk			
(6)	3C1 837 114 B	inner actuator	right lhd	1	PR-4F2,4I2, 4I3,4K3
	05/08-11/10ZNX	satin black/chrome matt silk			
6	3C2 837 114 D	inner actuator	right lhd	1	PR-4K0
	05/08-11/10ZNX	satin black/chrome matt silk			
(6)	3C2 837 113 B	inner actuator	left rhd	1	
	05/08-11/10ZNX	satin black/chrome matt silk			
(6)	3C2 837 114 D	inner actuator	right rhd	1	
	05/08-11/10ZNX	satin black/chrome matt silk			
7	N 909 868 02	hexagon socket head panel bolt	4,2X13	2	
(9)	3C4 837 085 C	bowden cable		2	



# ETKA

Model	Year	MG	SG	Illustrat	Restrictions	UPD	19:17	09.02.2011
PA	2010	8	37	837-00	>>	838		

Pos	Part Number	Description	Remark	Qty	Model
		door handle, exterior	front		
(12)	3C0 837 885 H	mounting bar	left lhd	1	
12	3C0 837 886 J	mounting bar	right lhd	1	
(12)	3C0 837 885 J	mounting bar	left rhd	1	
(12)	3C0 837 886 H	mounting bar	right rhd	1	
13	WHT 000 831	bolt, with polygon socket hd. (combi.)	M4X31	2	
14	3C0 837 111	cover cap	driver side	1	
(14)	861 877 399	grommet	passenger side	1	
15	N 910 604 01	bungs	12X1X5,5	X	
(16)	3C8 837 017 A	bowden cable		2	
18	1Y0 837 111	bungs emergency release		2	
(19)	WHT 005 504	fillister head bolt (combi.)	M8X16	X	
21	3C0 837 279 A	underlay striker		2	
22	3C0 837 033 B	striker		2	
23	N 908 047 05	countersunk multi-point socket head bolt		4	
(25)	3C0 837 209	underlay	left front	1	
(25)	3C0 837 210	underlay	right front	1	
(26)	3C0 839 209 B	underlay	left rear	1	
(26)	3C0 839 210 B	underlay	right rear	1	
(27)	3C0 837 205	door handle, exterior	left	1	PR-4K0,4K3
	05/08-11/10GRU	primed for painting in colour of vehicle			
27	3C0 837 206	door handle, exterior	right	1	PR-4K0,4K3
	05/08-11/10GRU	primed for painting in colour of vehicle			
(27)	3C0 837 205 E	door handle, exterior for vehicles with kessy (access and start auth.)	left	1	PR-4F2
	05/08-11/10GRU	primed for painting in colour of vehicle			



# ETKA

Model	Year	MG	SG	Illustrat	Restrictions	UPD	19:17	09.02.2011
PA	2010	8	37	837-00	>>	838		

Pos	Part Number	Description	Remark	Qty	Model
(27)	3C0 837 206 E  05/08-11/10GRU	door handle, exterior for vehicles with kessy (access and start auth.)  primed for painting in colour of vehicle	right	1	PR-4F2
(30)	f 107 837 167 MG	lock cylinder with housing * to retain the one key * system the chassis * number must be quoted * when ordering	left front lhd	1	
30	f 107 837 168 MG	lock cylinder with housing * to retain the one key * system the chassis * number must be quoted * when ordering	right front rhd	1	
31	3C0 839 168	housing	right front lhd	1	
(31)	3C0 839 167	housing	left front rhd	1	
(32)	3C0 837 879  05/08-11/10GRU	cap  primed for painting in colour of vehicle	left	1	
32	3C0 837 880  05/08-11/10GRU	cap  primed for painting in colour of vehicle	right	1	
(35)	3C0 959 752 BA  f 05/08-11/10ZQG	transmitter for radio remote control central locking system when ordering, provide vehicle identification number.  satin black/chrome matt silk	3 buttons 434MHZ	X	PR-4I2,4K3+ 5D1
(35)	3C0 959 752 BG  f 05/08-11/10ZQG	sender unit for vehicles with kessy (access and start auth.) when ordering, provide vehicle identification number.  satin black/chrome matt silk	3 buttons 434MHZ	X	PR-4F2,4I3+ 5D1
(35)	3C0 959 752 BB  f 05/08-11/10ZQG	transmitter for radio remote control central locking system when ordering, provide vehicle identification number.  satin black/chrome matt silk	4 buttons 315MHZ	X	PR-5D2



# ETKA

Model	Year	MG	SG	Illustrat	Restrictions	UPD	19:17	09.02.2011
PA	2010	8	37	837-00	>>	838		

Pos	Part Number	Description	Remark	Qty	Model
35	3C0 959 752 BD	transmitter for radio remote control central locking system when ordering, provide vehicle identification number.	3 buttons 315MHZ	X	PR-5D3
	f 05/08-11/10ZQG	satin black/chrome matt silk			
(35)	3C0 959 752 BE	transmitter for radio remote control central locking system when ordering, provide vehicle identification number.	3 buttons 315MHZ	X	PR-5D5
	f 05/08-11/10ZQG	satin black/chrome matt silk			
(35)	3C0 959 752 BF	transmitter for radio remote control central locking system when ordering, provide vehicle identification number.	3 buttons 434MHZ	X	PR-5D9
	f 05/08-11/10ZQG	satin black/chrome matt silk			
36	N 105 283 01	micro-cell battery	CR2032	X	
37	3C0 837 106 A	cover cap		X	
	05/08-11/102ZZ	chrome			
38	3C0 837 216 E	emergency key when ordering, provide vehicle identification number.		X	
	f 05/08-11/10INB	inner rail section			
39	G 052 778 A2	lock cylinder grease spray	50ML	1	
41	181 837 220	key ring		X	
42	3C0 837 587 B	start button for vehicles with kessy (access and start auth.)		1	PR-4F2,4I2+5D1
	05/08-11/10UBN	satin black/chrome matt silk			
		lock cylinder sets			
		also use: central control unit for convenience system see diagram, item: steering column lock see diagram, item: -----	959-10,1 907-00,5		
-	f 3C5 800 375 EJ	1 set of lock cylinders when ordering, provide vehicle identification number.	lhd	1	PR-4I2,4K3+5D1



# ETKA

Model	Year	MG	SG	Illustrat	Restrictions	UPD	19:17	09.02.2011
PA	2010	8	37	837-00	>>	838		

Pos	Part Number	Description	Remark	Qty	Model
-	f 3C5 800 375 EQ	1 set of lock cylinders for vehicles with kessy (access and start auth.) when ordering, provide vehicle identification number.	lhd	1	PR-4F2,4I3+5D1
-	f 3C5 800 375 EL	1 set of lock cylinders when ordering, provide vehicle identification number.	rhd	1	PR-4I2,4K3+5D1
-	f 3C5 800 375 ES	1 set of lock cylinders for vehicles with kessy (access and start auth.) when ordering, provide vehicle identification number.	rhd	1	PR-4F2,4I3+5D1
-	f 3C5 800 375 EN	1 set of lock cylinders when ordering, provide vehicle identification number.	lhd	1	PR-5D2
-	f 3C5 800 375 FA	1 set of lock cylinders when ordering, provide vehicle identification number.	lhd	1	PR-5D3
-	f 3C5 800 375 FC	1 set of lock cylinders when ordering, provide vehicle identification number.	rhd	1	PR-5D3
-	f 3C5 800 375 FG	1 set lock cylinders for door handle and dash panel box lid when ordering, provide vehicle identification number.	lhd	1	PR-5D5
-	f 3C5 800 375 FH	1 set lock cylinders for door handle and dash panel box lid when ordering, provide vehicle identification number.	lhd	1	PR-5D9