
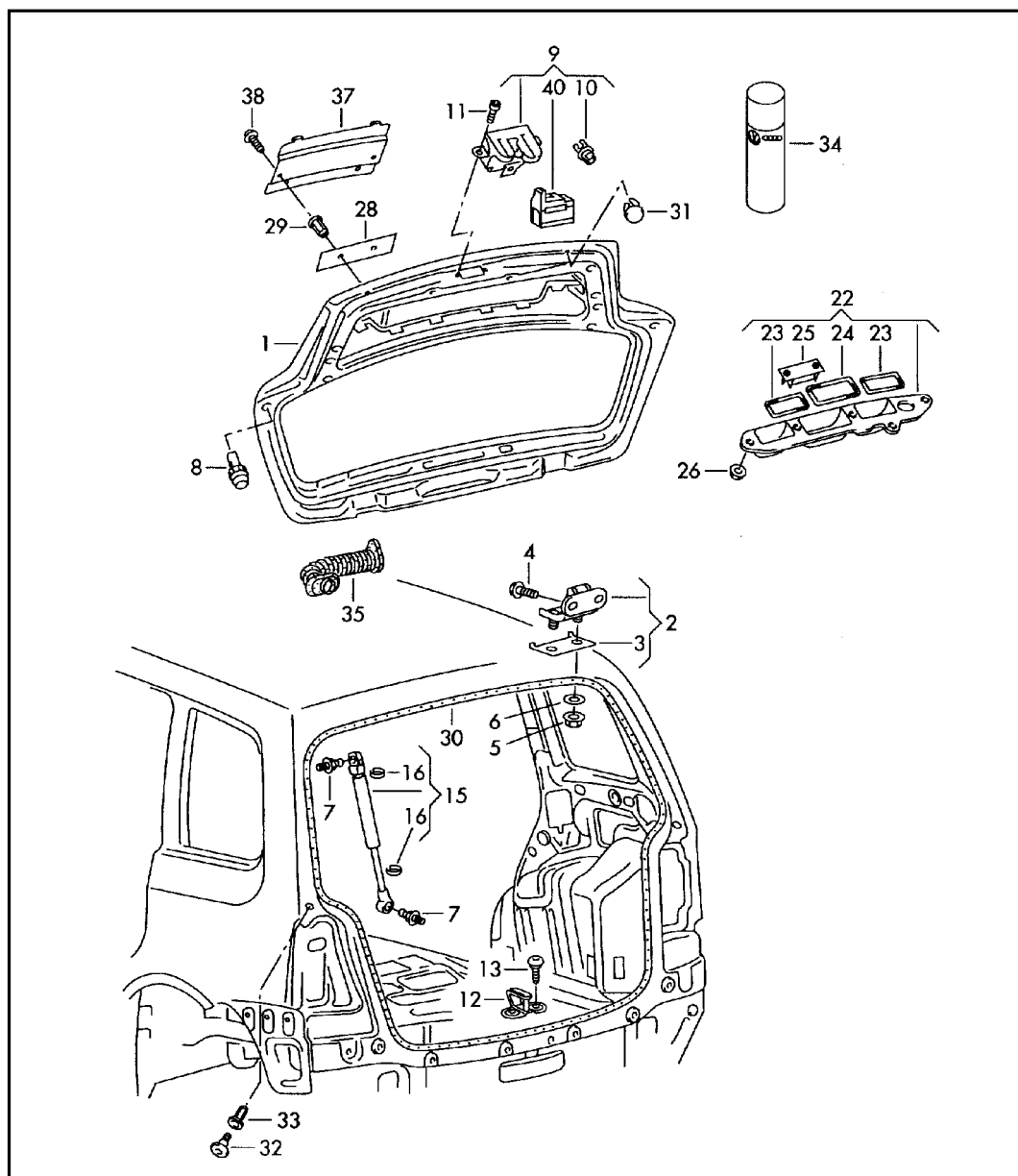


Model	Year	MG	SG	Illustration	Restrictions	UPD	16:09	06.08.2012		ETKA
TOU	2004	8	27	827-30		921				



Pos	Part Number	Description	Remark	Qty	Model
(9)	1T0 827 505 D	rear lid lid lock			
	05/03-04/059B9	lid lock	rear	1	
		satin black			
9	1T0 827 505 F	lid lock	rear	1	
	05/05-05/059B9	lid lock			
		satin black			
10	191 837 199	clip		1	
11	N 909 316 02	socket head bolt with inner multipoint head	M8X20	2	
12	1T0 827 517 A	striker plate		1	
13	N 908 406 03	locating bolt	M8X12X23	2	
15	1T0 827 550 C	gas filled strut	black	2	
16	443 823 397	clip		4	
22	1T0 827 574 L	grab rail with microswitch		1	
23	1T0 827 634	seal		2	
24	1T0 827 669	seal		1	
25	3B5 943 021	licence plate light		2	
26	N 901 752 03	hexagon collar nut	M6	5	
28	8H0 853 419	underlay	1,5MM	1	
		shorten if necessary			
29	N 907 667 02	riveted cap nut	M6X0,8-1	2	
30	1T0 827 705 F	seal	4120MM	1	
31	1J0 827 713	bungs	9,3	2	
32	6X0 827 951 A	bungs	7,5/25	2	
33	N 907 667 02	riveted cap nut	M6X0,8-1	1	
34	G 052 778 A2	lock cylinder grease spray	50ML	1	
35		bellows	see illustration:	972-82 POSI 28	
37	1T0 827 211	licence plate holder		1	"J.."
38	N 104 065 04	oval hexagon socket head bolt	M6X12	2	"J.."