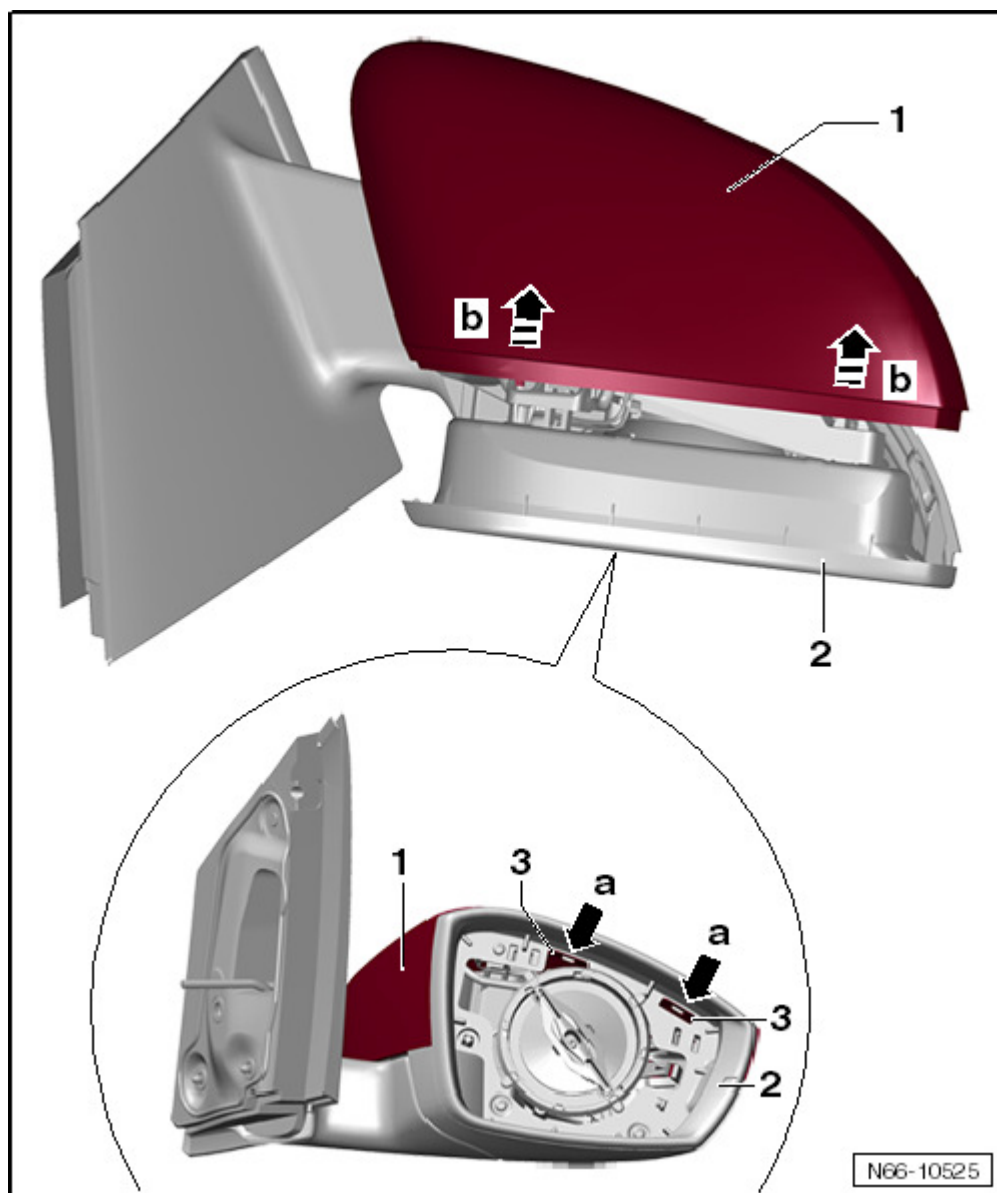


Removing



N66-10525

- Remove mirror glass → Chapter
- Release locking lugs -arrows a-.
- Then pull mirror housing -1- off trim -2- and forwards off mirror mounting -arrow b-.